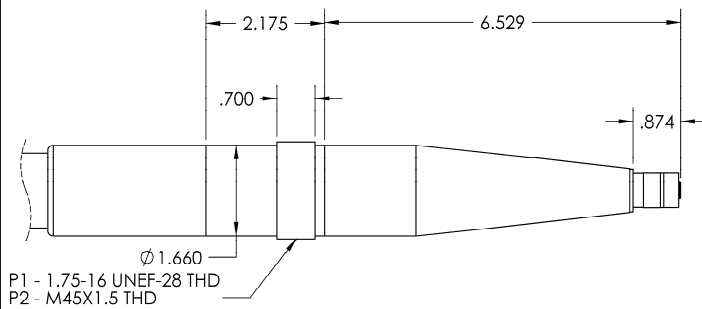
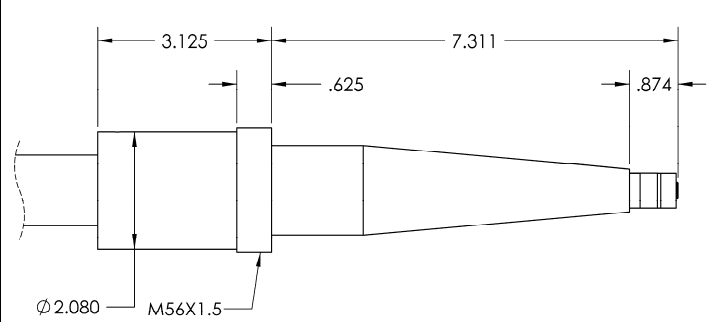
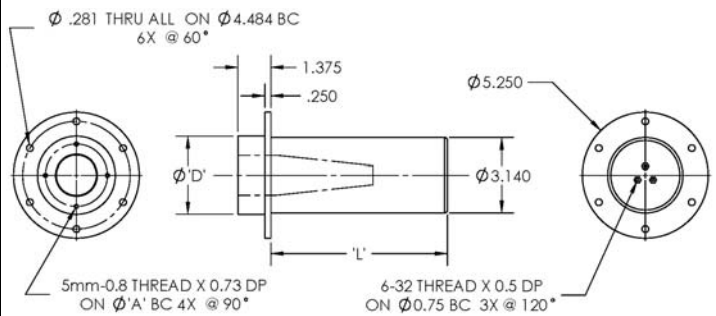
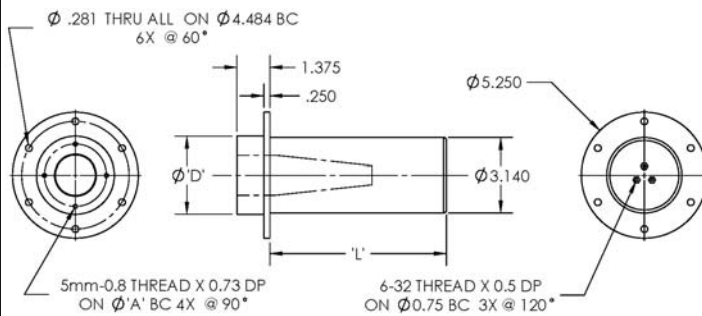


H2117 - R SERIES PLUG/RECEPTACLE/FLANGE SPECIFICATIONS
REV 11-06
R24 PLUG
PART # H2116
R28 PLUG
PART # H2113

 NOTE: FOR OPTIMUM PERFORMANCE, USE WITH
 PMI-H1419P1, P2 RECPETACLE

 NOTE: FOR OPTIMUM PERFORMANCE, USE WITH
 PMI-H1419P3, P4 RECPETACLE

R24 RECEPTACLE
PART # H1419
R28 RECEPTACLE
PART # H1419


PART NUMBER	LENGTH 'L'	DIAMETER 'D'	BOLT CIRCLE 'A'
H1419P1	7.35	3.25	2.590
H1419P2	5.10	3.25	2.590

PART NUMBER	LENGTH 'L'	DIAMETER 'D'	BOLT CIRCLE 'A'
H1419P3	7.35	3.94	3.150
H1419P4	5.80	3.94	3.150

R24 FLANGE
PART # H1420
R28 FLANGE
PART # H1506
